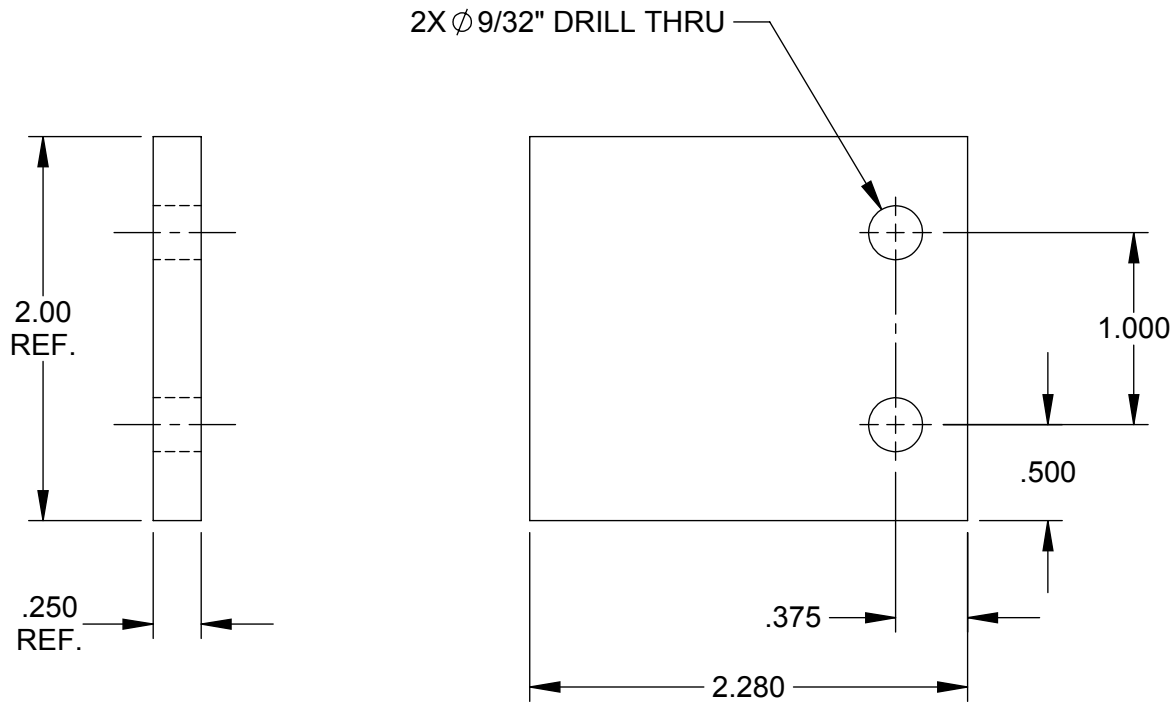


LETTER	DATE	DESCRIPTION



		UNLESS OTHERWISE SPECIFIED: DIMENSIONS ARE IN INCHES UNSPECIFIED TOLERANCES: FRACTIONAL $\pm 1/64$ " ANGULAR $\pm 0^\circ 30'$ TWO PLACE DECIMAL $\pm .010$ THREE PLACE DECIMAL $\pm .005$	NAME	DATE
			DRAWN	B <sup>2</sup> 5/3/2013
		REMOVE ALL BURRS	CHECKED	
			ENG APPR.	
		MATERIAL 6-51-9008	MFG APPR.	
			Q.A.	
		FINISH	COMMENTS:	
NEXT ASSY	USED ON			
APPLICATION		DO NOT SCALE DRAWING		

**record-usa**  
a member of the record group

4324 PHIL HARGETT CT., MONROE, NC 28110 U.S.A.  
PHONE: (704) 289-9212 TOLL FREE: (800) 438-1937 FAX: (704) 289-2024

TITLE:  
**SPACER, CART BAR MOUNTING**

SIZE <b>A</b>	DWG. NO. <b>4-51-9011</b>	REV
SCALE: 1:1	WEIGHT:	SHEET 1 OF 1

**PROPRIETARY AND CONFIDENTIAL**  
THE INFORMATION CONTAINED IN THIS DRAWING IS THE SOLE PROPERTY OF record-usa. THIS DRAWING IS ISSUED IN CONFIDENCE FOR ENGINEERING INFORMATION AND IS TO BE RETURNED WHEN ITS PURPOSE HAS BEEN SERVED.  
ANY REPRODUCTION IN PART OR IN WHOLE WITHOUT THE WRITTEN PERMISSION OF record-usa IS PROHIBITED.