

LHR

RHR

LH

RH

LHR-RHR

LH-RH

**SERIES 8700 OVERHEAD CONCEALED SWING OPERATOR
WITH ISOLATED PIVOT (BUTT, OFFSET, CONTINUOUS)**

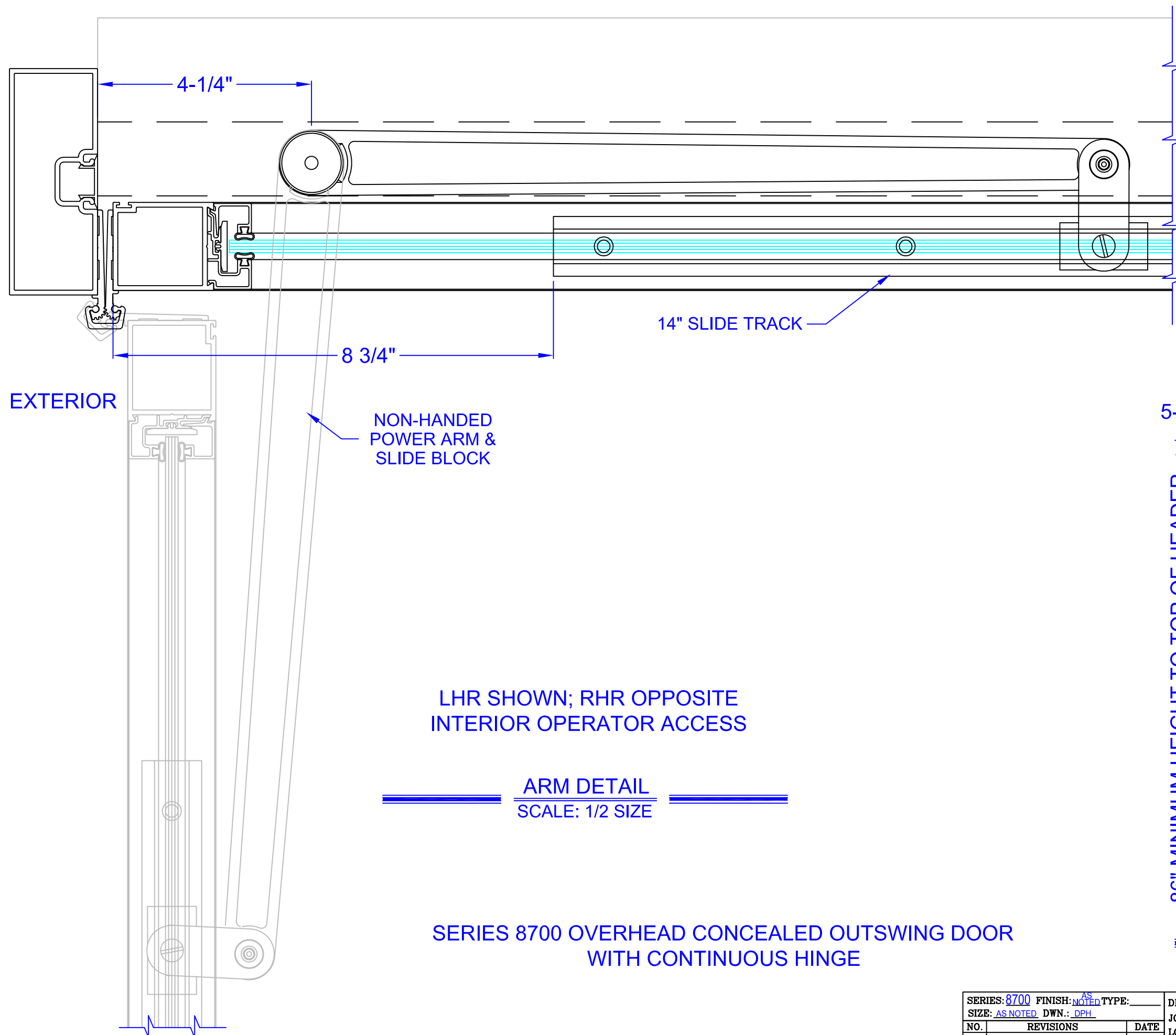
SECTION & PLAN VIEWS
SCALE: 1/2" = 1'

SERIES: 8700		FINISH: <u>NOTED</u>	TYPE: _____
NO. _____		SIZE: <u>AS NOTED</u>	DWN.: <u>DPH</u>
NO.	REVISIONS	DATE	

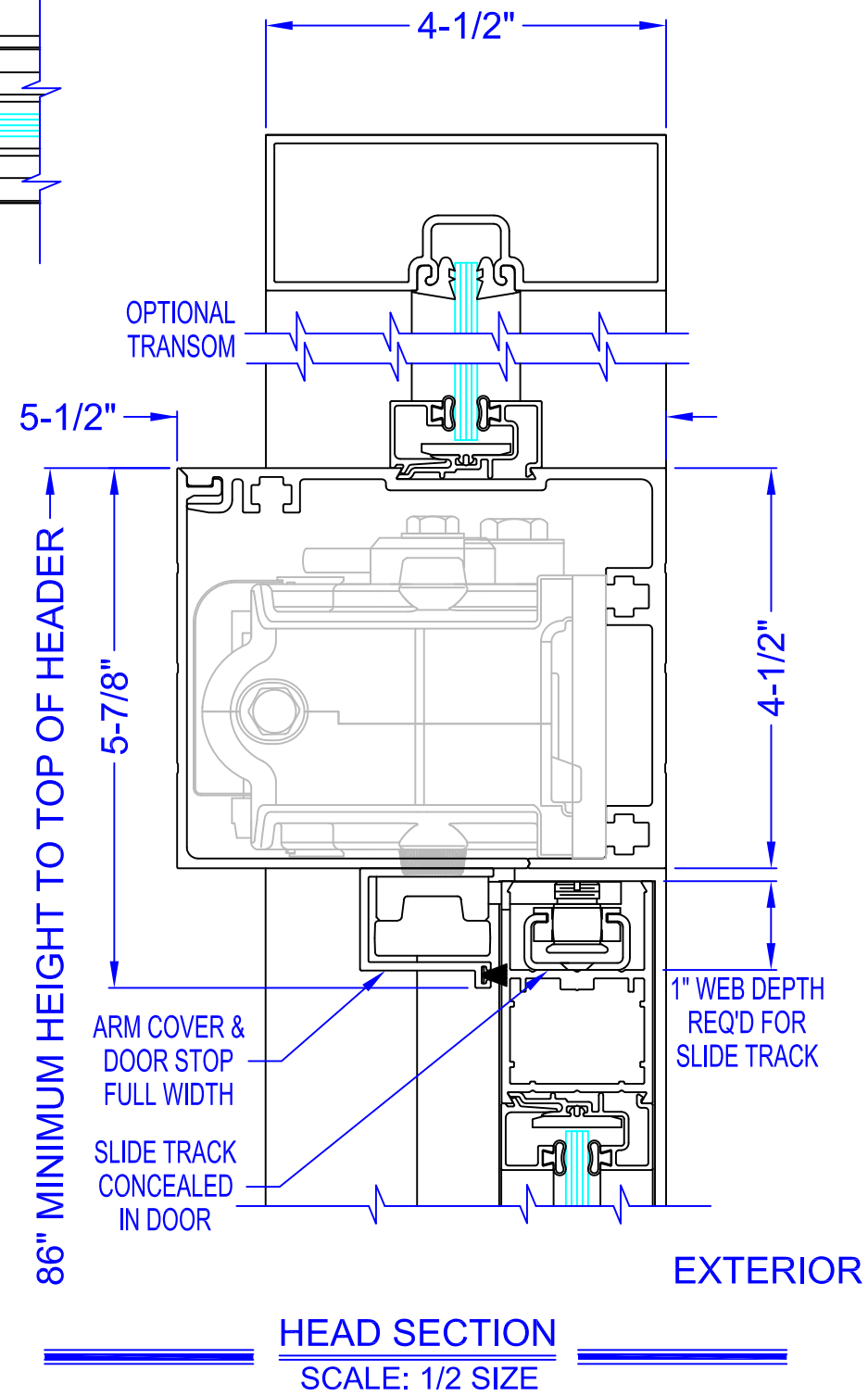
DISTRIBUTOR: _____
JOB: _____
LOCATION: _____
ARCHITECT: _____
CONTRACTOR: _____



DATE: 05/10/11 SD# _____ SHEET 1 OF 3

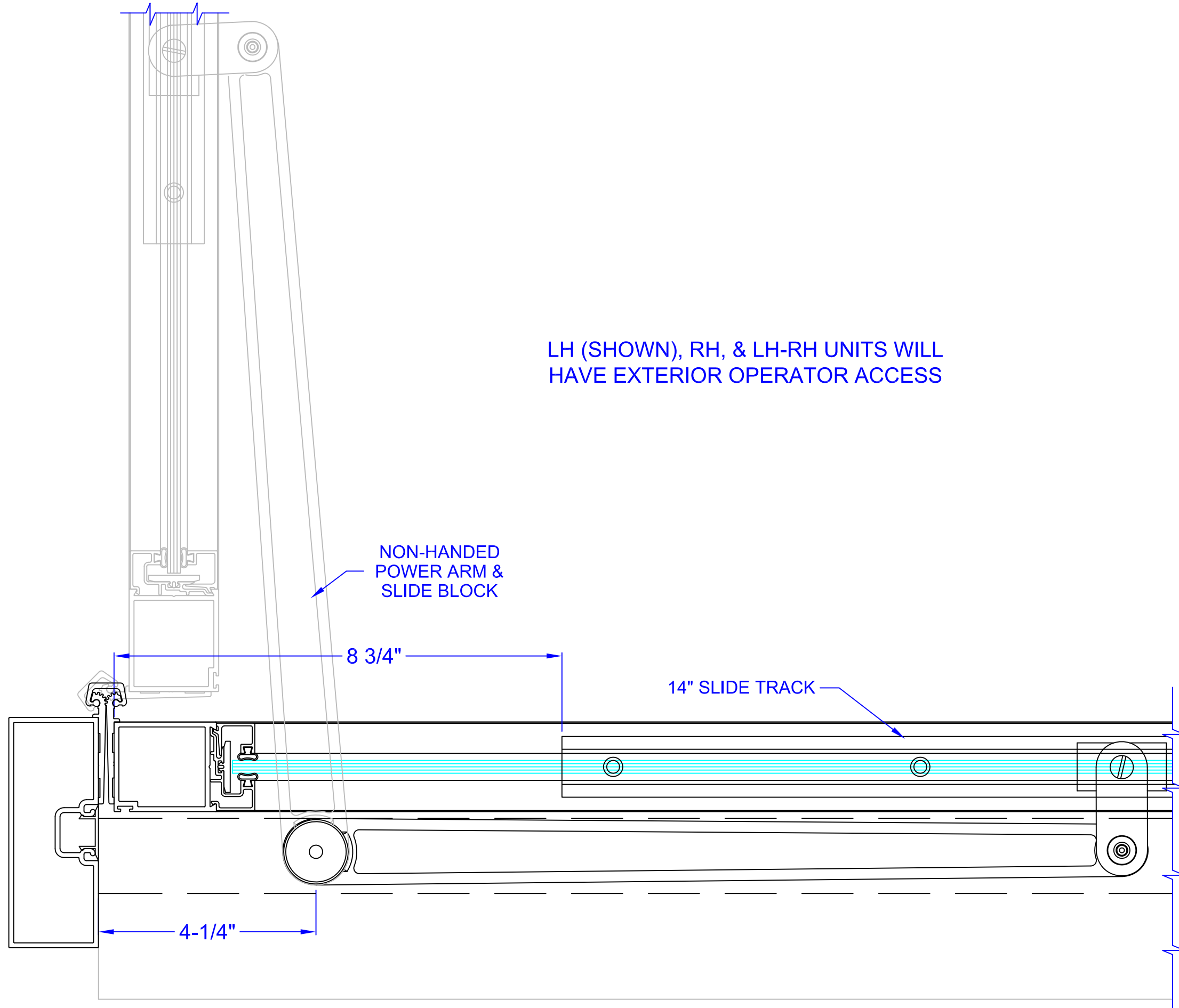


SERIES 8700 OVERHEAD CONCEALED OUTSWING DOOR WITH CONTINUOUS HINGE



SERIES: 8700 FINISH: ^{AS NOTED} TYPE: _____		
SIZE: ^{AS NOTED} DWN.: DPH		
NO.	REVISIONS	DATE

DISTRIBUTOR: _____
 JOB: _____
 LOCATION: _____
 ARCHITECT: _____
 CONTRACTOR: _____



LH (SHOWN), RH, & LH-RH UNITS WILL HAVE EXTERIOR OPERATOR ACCESS

NON-HANDED
POWER ARM &
SLIDE BLOCK

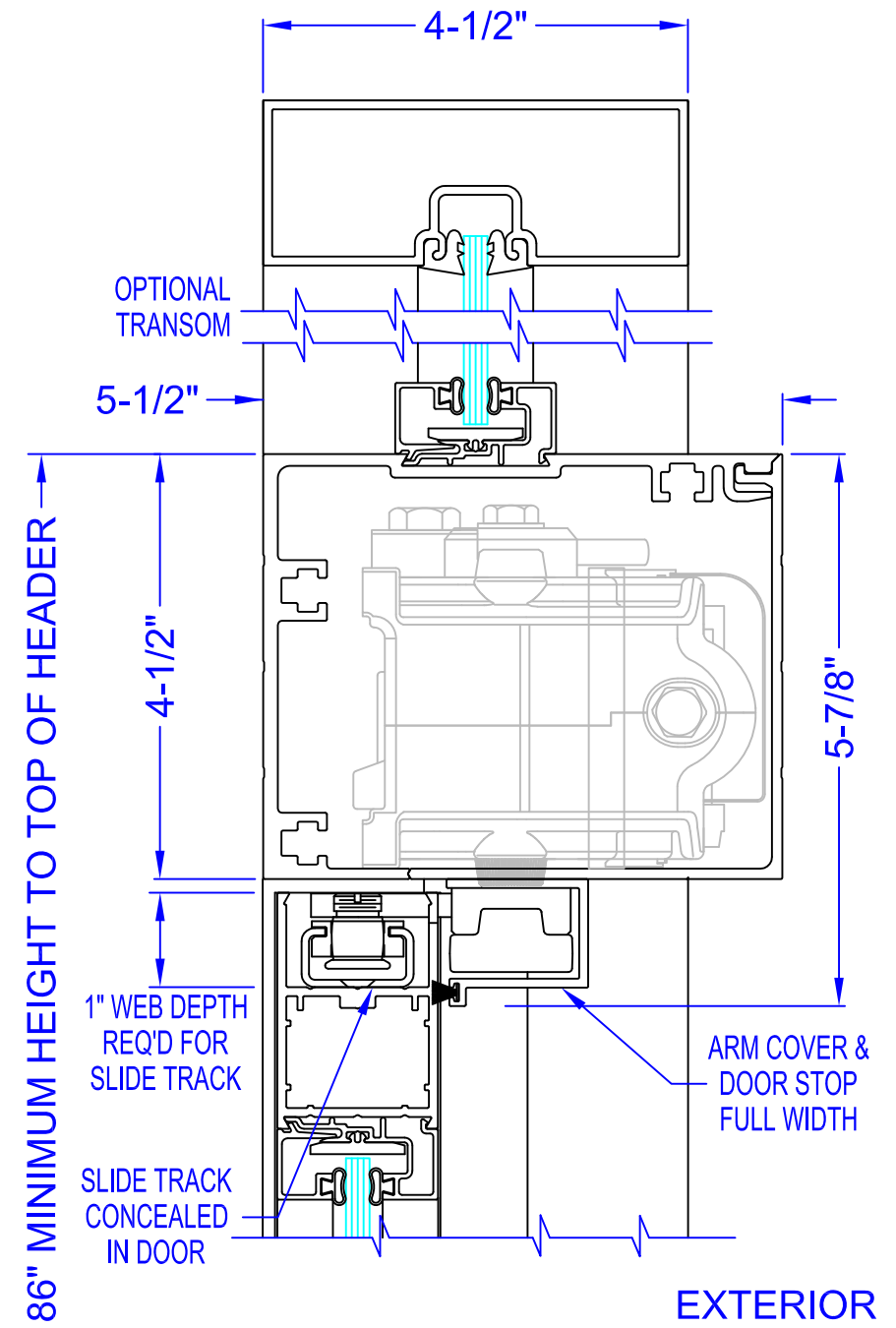
8 3/4"

14" SLIDE TRACK

4-1/4"

EXTERIOR

ARM DETAIL
SCALE: 1/2 SIZE



OPTIONAL
TRANSOM

5-1/2"

4-1/2"

86" MINIMUM HEIGHT TO TOP OF HEADER

4-1/2"

5-7/8"

1" WEB DEPTH
REQ'D FOR
SLIDE TRACK

ARM COVER &
DOOR STOP
FULL WIDTH

SLIDE TRACK
CONCEALED
IN DOOR

EXTERIOR

HEAD SECTION
SCALE: 1/2 SIZE

**SERIES 8700 OVERHEAD CONCEALED
INSWING DOOR WITH CONTINUOUS HINGE**

SERIES: 8700 FINISH: <u>AS NOTED</u> TYPE: _____		
SIZE: <u>AS NOTED</u> DWN.: <u>DPH</u>		
NO.	REVISIONS	DATE

DISTRIBUTOR: _____
JOB: _____
LOCATION: _____
ARCHITECT: _____
CONTRACTOR: _____

