

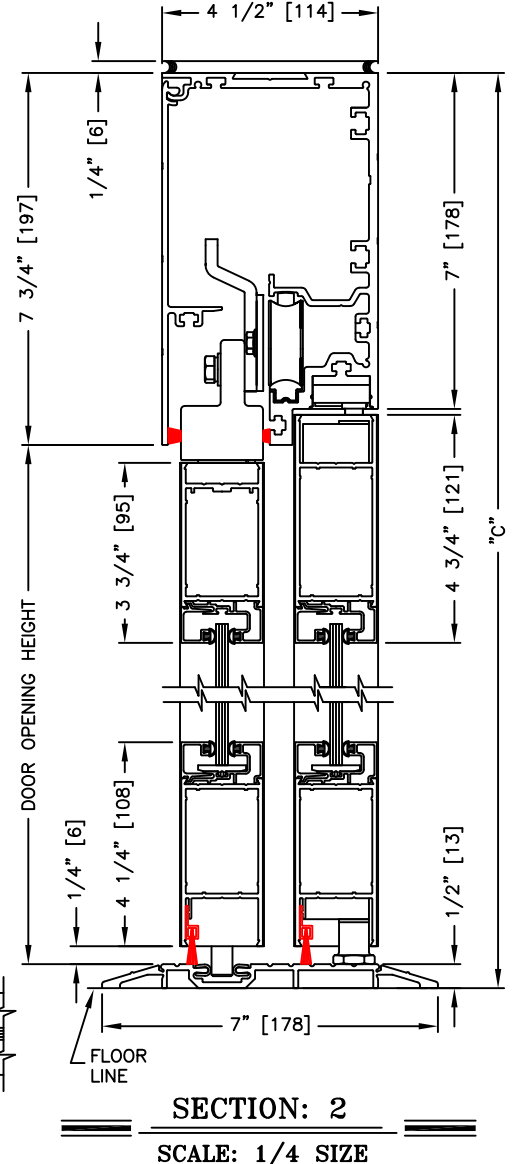
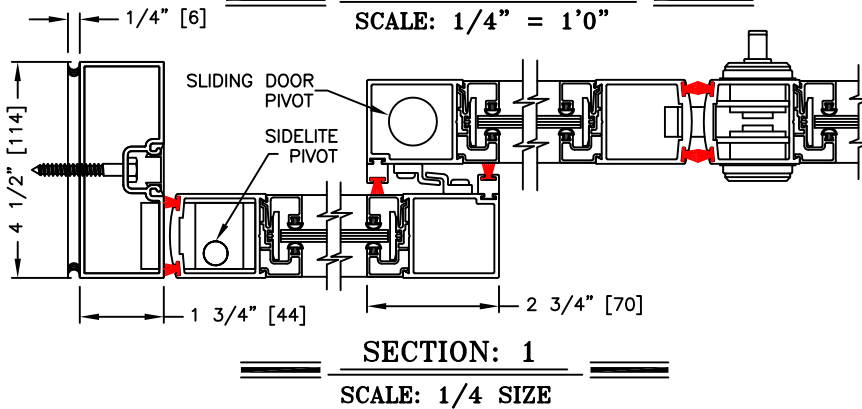
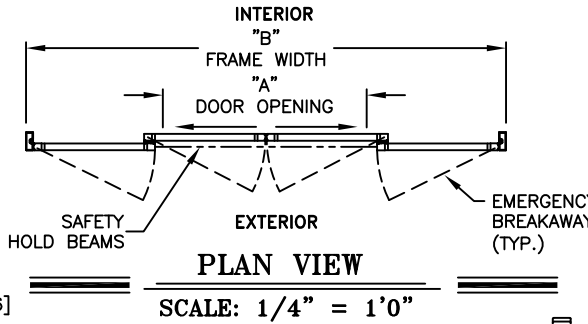
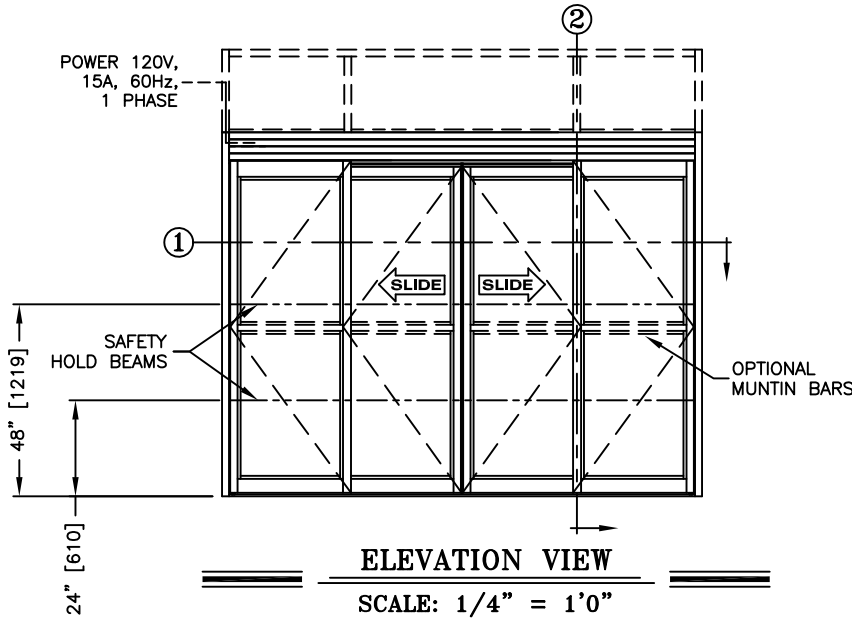


**record-usa**  
4910 STARCREST DR.  
MONROE, NC 28110  
(704) 289 - 9212

JOB NAME: \_\_\_\_\_  
LOCATION: \_\_\_\_\_

**SERIES 5100 AUTOMATIC SLIDING DOORS**

TYPE: 5106-1, S0-SX-SX-S0, BI-PART  
PAGE 51-2.06



**NOTES:**

1. See sheets 51-2.86 thru 51-2.91 for optional muntins, bottom rails, transoms, glazing variations, bottom guides & thresholds.
2. See sheet 51-2.92 for additional details of recessed pin guide.

<b>DIMENSIONS FOR STANDARD NARROW STILE PACKAGES</b>					
DOOR OPENING "A"	STD. PACKAGE WIDTH "B"	STD. PACKAGE HEIGHT "C" W OR W/O THRESHOLD	DOOR OPENING HEIGHT W/ THRESHOLD	DOOR OPENING HEIGHT W/O THRESHOLD OR W/RECESSED PIN	MAX. OPENING MANUALLY
42-1/2 (1080)	108 (2743)	91 (2311)	82-3/4 (2102)	83-1/4 (2115)	93-5/8 (2378)
48-1/2 (1232)	120 (3048)	91 (2311)	82-3/4 (2102)	83-1/4 (2115)	105-5/8 (2683)
60-1/2 (1537)	144 (3658)	91 (2311)	82-3/4 (2102)	83-1/4 (2115)	129-5/8 (3292)
72-1/2 (1842)	168 (4267)	91 (2311)	82-3/4 (2102)	83-1/4 (2115)	153-5/8 (3902)
84-1/2 (2146)	192 (4877)	91 (2311)	82-3/4 (2102)	83-1/4 (2115)	177-5/8 (4512)

Masonry Opening is 1/4" (6) per side larger and 1/4" taller than package dimensions.  
Measurements given in inches (millimeters).